



## TUCSON® Pumps



## TUCSON® Valves



## TUCSON® Expansion Vessels

## TUCSON®-A A Rated Circulating Pumps



CODE	DESCRIPTION	PALLET QTY	PRICE €
771903	5 Metre Head	256	
771904	6 Metre Head	256	
771902	8 Metre Head	256	

### Technical Data for Tucson-A

EEI (Energy Efficiency Index)	≤ 0.20
Voltage	Single Phase, 230 volts +/- 10%
Frequency	50 Hz
Speed	1 to 3 Speed, Auto
Isolation Class	F
Fluid Temperature Limits	-10C to 110C
Max Working Pressure	10 Bar
Minimum Working Pressure	0.05 bar @ 50C
Temperature Working Range	-10C to 50C
Waterproof Rating	IP44
Pump Weight	2.6 Kg

### Dimensions

Dimensions	Speed	Head(m)	Auto
A = 130mm	1	1	5 Watts
B = 123mm	2	3	to
C = 88mm	3	5	45 Watts



### Gate Type Pump Valves C

CODE	SIZE	PACK QTY	PRICE €
771042	¾"	50	
771043	1"	50	
771058	22mm	50	
771059	28mm	50	



### Gate Type Pump Valves FI

CODE	SIZE	PACK QTY	PRICE €
771158	¾"	50	
771159	1"	50	

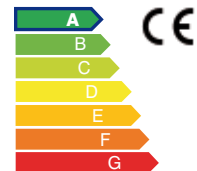
## TUCSON® Solar Circulating Pump



### Features Include:

- 304 Stainless steel Impeller
- Silicon Seals
- Max working Temperature – 120 degrees

**Tucson-A and Tucson Solar rated pumps carry a 2 year warranty**

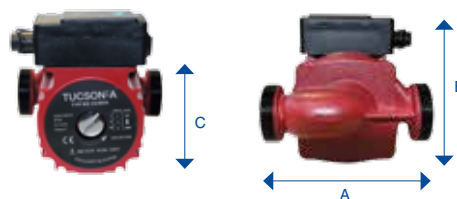


CODE	DESCRIPTION	PALLET QTY	PRICE €
771906	6 Metre Head	256	

### General notes - ErP (ecological design) directive

The benchmark for the most efficient circulators is EEI ≤ 0.20.

**Information on recycling/disposal:** This product should be disposed of separately from household waste in line with local laws and regulations. When this product reaches its end of life, dispose of it at your local waste collection point/recycling centre. The separate collection and recycling of your product at the time of disposal will help conserve natural resources and ensure that it is recycled in a manner that protects human health and the environment



### Ball Type Pump Valves C



CODE	SIZE	PACK QTY	PRICE €
771052	¾"	50	
771053	1"	50	
771056	22mm	50	
771057	28mm	50	



### Ball Type Pump Valves FI

CODE	SIZE	PACK QTY	PRICE €
771156	¾"	50	
771157	1"	50	

# TUCSON® Booster Pumps

+353 (0)1 8426255

sales@sanbra.ie

PUMPS



CODE	DESCRIPTION	PRICE €
771908	SBP-100 25 Metre 3.0 Bar	

CODE	DESCRIPTION	BOX QTY	PRICE €
771913	Booster Pump Cover	5 per box	

The TUCSON® SBP Silent Booster Pump series is an all-in-one automatic booster pump which combines motor, pump, accumulator, pressure & flow switch, all in one unit.

### Features SBP100:

Product code: **771908** cover: **771913**

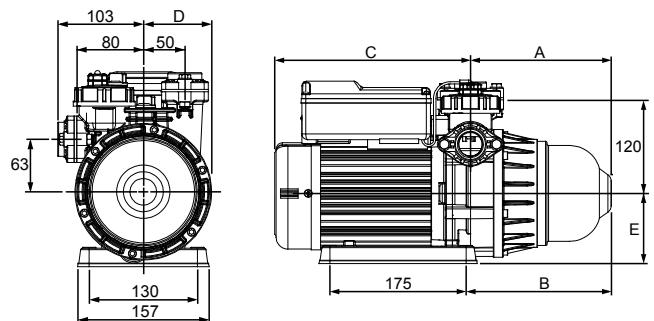
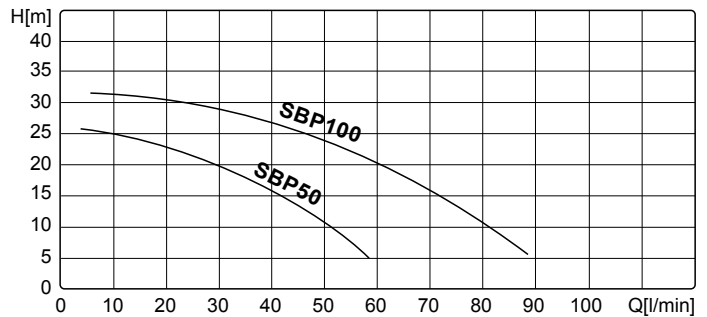
- 1 HP / Max Head: 3 bar/3 2M
- Compact size and easy installation
- Quiet operation, ≤55 dB(A) at 5 metres
- Suitable for domestic water supply, light commercial and irrigation use
- High efficiency multistage centrifugal pump
- Robust construction with corrosion resistant materials
- Dry-run protection
- Air cooled
- Integrated flow switch prevents pump from starting under small discharge
- Reliable constant pressure motor controller
- 1" BSP connection

### Includes:

- 1" Spring loaded FI x FI Non Return Valve
- 1" Galvanised Nipple
- 2M cable

### Also available:

- Booster pump cover



Model	Phase	Voltage (V)	Power		Head (Pressure)		Flow (Capacity)		Pipe Connection	Weight	Product Dimension (mm)				
			HP	Watt	Rated (M)	Max. (M)	Rated (L/Min)	Max. (L/Min)			A	B	C	D	E
SBP50	1	220-240	1/2	400	20	26	32	58	3	9.5	165	171	230	80	85
SBP100	1	220-240	1	750	25	32	50	88	5	11.5	182	188	252	82	90



CODE	DESCRIPTION	PRICE €
771909	SBP-90 33 Metre 3.0 Bar	

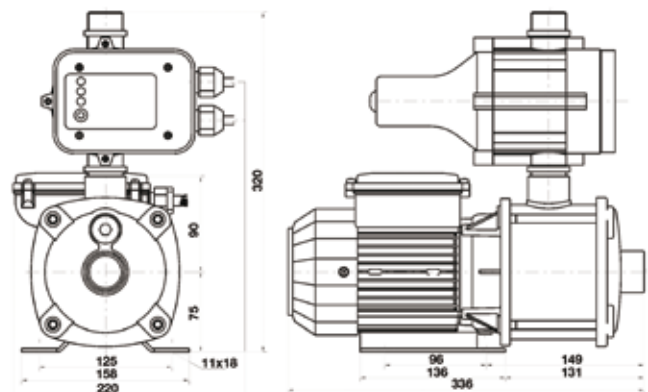
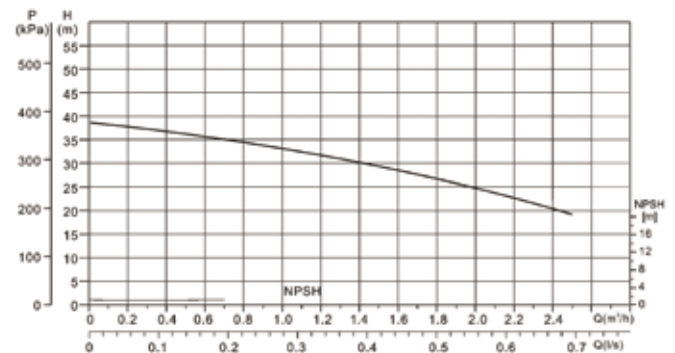
The **TUCSON® SBP-90** is a silent, Horizontal multi-stage centrifugal booster pump complete with Automatic Pressure Control Unit.

### Features SBP-90:

Product code: **771909**

- 0.5 HP / Max Head: 3 bar/39M
- Complete booster system
- Compact size and easy installation
- Quiet operation,  $\leq 55$  dB(A) at 5 metres
- Suitable for domestic water supply, light commercial and irrigation use
- High efficiency multi-stage centrifugal pump
- Robust construction with corrosion resistant materials
- Stainless steel impeller and pump case
- Integrated non-return valve
- Air cooled

### Performance Curves



Model	Phase	Voltage (V)	Power		Head (Pressure)		Flow (Capacity)		Pipe Connection		Weight (kg)
			HP	Watt	Rated (M)	Max. (M)	Rated (L/Min)	Max. (L/Min)	mm	Inch	
SBP-90	1	220-240	1/2	370	33	39	17	55	25	1	9.2